

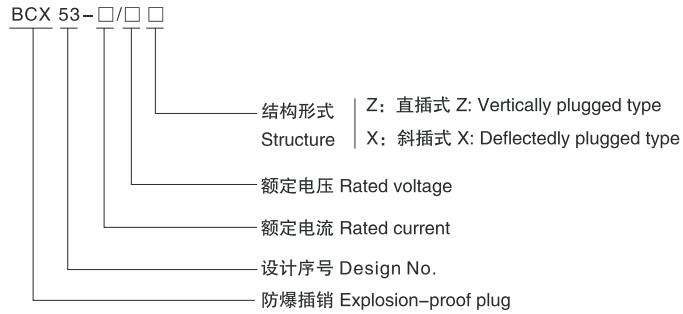
## BCX53 系列防爆插销(II B)



### 适用范围 Application

- 适用于1区、2区危险场所。
- 适用于II A、II B类，温度组别为T1~T4的爆炸性气体环境。
- Can be used in hazardous areas: Zone 1 and Zone 2.
- Can be used in explosive gas atmospheres of Category IIA and II B where the temperature classification is T1 ~ T4.

### 型号含义 Model implication



### 技术参数 Technical parameters

- 执行标准: GB 3836.1、GB 3836.2、IEC60079
- 防爆标志: Exd II CT4 Gb
- 额定电压: AC 380/220V
- 防护等级: IP54
- 防腐等级: WF1
- Implementing the standard : GB 3836.1、GB 3836.2、IEC60079
- Ex-mark: Exd II CT4 Gb
- Rated voltage: AC380/220V
- Protection grade: IP54
- Corrosion-proof grade: WF1

## BCX53

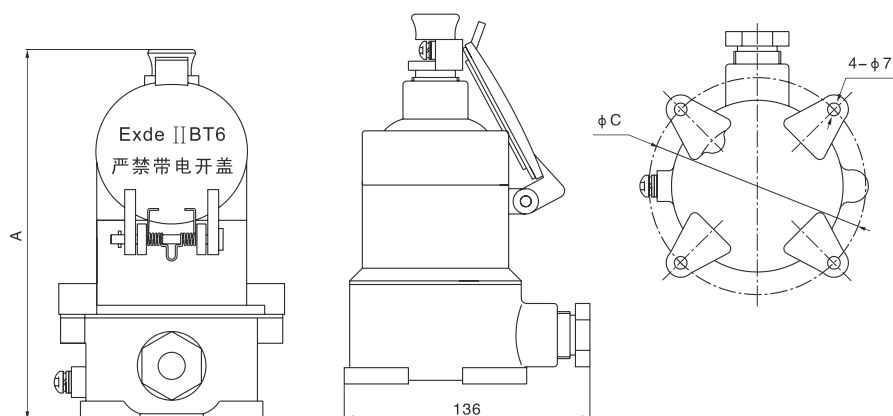
Type explosion-proof plug ( II B)

产品型号 Type	额定电流(A) Rated current	极数 Poles	使用类别 Using sort	进线口螺纹 Inlet's thread	电缆外径(φ,mm) Cable's outer diameter
BCX53-16	16	1P+N 1P+N+PE	AC-1	G3 / 4"	9~14
BCX53-32	32	3P+N 3P+N+PE	AC-3	G1 1/ 4"	14~25

### 产品特点 Features

- 壳体采用ZL102铝合金铸造型，表面高压静电喷塑；
- 插销与开关制成联锁结构，只有开关断开后方能拔出插头；
- 钢管或电缆布线。
- The housing is die cast in aluminum alloy, with high voltage static plastic-sprayed surface.
- The plug together with switch is constructed to form interlocks. Only if switch is off, the plug can be drawn out.
- Conduit wiring or cable wiring.

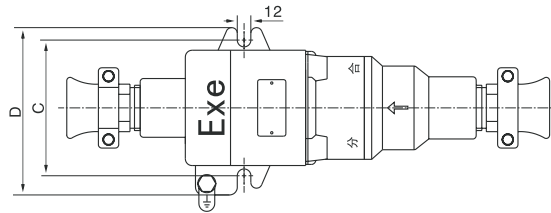
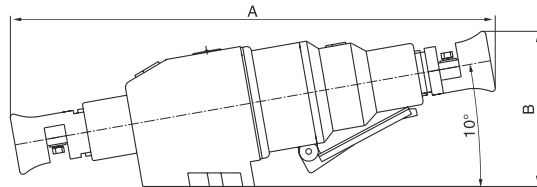
### 外形及安装举例 Outline and mounting example



Z: 直插式 Vertically plugged type

# PEOPLE ELECTRIC

## BCX53 系列防爆插销(II B)



X: 斜插式 Deflectedly plugged type

型号 Type	尺寸 Size	A	B	C	D
BCX53-16/□Z		210	150	115	
BCX53-16/□X		225	135	110	130
BCX53-32/□Z		300	190	125	
BCX53-32/□X		368	240	125	146