

## BXX8050

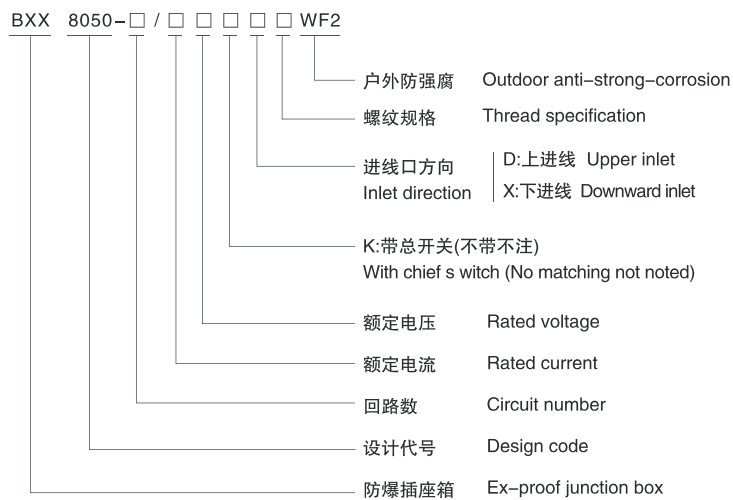
Type explosion-proof corrosion-proof socket box for power source (II C)



### 适用范围 Application

- 适用于1区、2区危险场所。
- 适用于II A、II B、II C类，温度组别为T1~T6的爆炸性气体环境。
- Can be used in hazardous areas: Zone 1 and Zone 2.
- Can be used in explosive gas atmospheres of Category IIA、IIB and IIC where the temperature classification is T1~T6.

### 型号含义 Model implication



### 技术参数 Technical parameters

- |   |  |
|---|--|
| ■ 执行标准: GB 3836.1、GB 3836.2、GB 3836.30、IEC60079 | ■ Implementing the standard : GB 3836.1、GB 3836.2、GB 3836.3、IEC60079 |
| ■ 防爆标志: Exed II CT6                             | ■ Explosion-proof mark: Exed II CT6                                  |
| ■ 额定电压: AC 380/220 V                            | ■ Rated voltage: AC 380/220V   |
| ■ 额定电流: 16A                                     | ■ Rated current: 16A   |
| ■ 极数: 3P+N+PE、1P+N+PE、3P+PE                     | ■ Number of pole: 3P+N+PE、1P+N+PE、3P+PE                              |
| ■ 回路数: 2, 3, 4, 6                               | ■ Circuit number: 2, 3, 4, 6   |
| ■ 防护等级: IP65                                    | ■ Protection grade: IP65   |
| ■ 防腐等级: WF2                                     | ■ Explosion-proof class: WF2   |

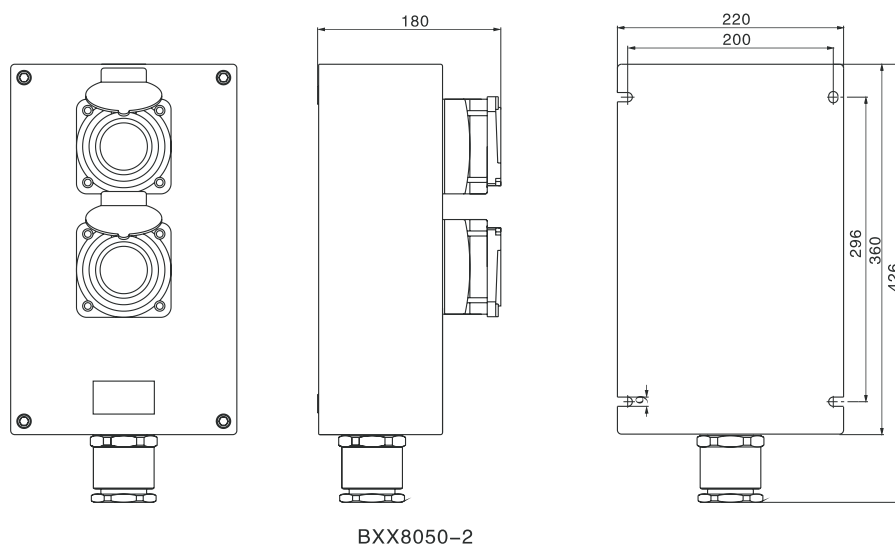
## BXX8050

系列防爆防腐电源插座箱(ⅡC)

### 产品特点 Features

- 插座箱外壳采用玻璃纤维增强不饱和聚酯树脂压制而成，具有抗静电、耐冲击、耐腐蚀及热稳定性好等优良性能；
- 各种插座组装在一起适合不同的要求，并可根据要求加装总开关指示灯；
- 电缆布线(钢管布线请说明)。
- The shell is made of glass fiber and unsaturated polyester resin, with beautiful appearance, the functions of corrosion-proofing, electrostatic-resistant, impulsion-withstanding, thermal stability. Etc.
- All kinds of sockets assembled together are suitable for different requirements and can be installed additionally with main switch indicator lamp on request;
- Cable wiring ( In the event steel tube wiring, please state).

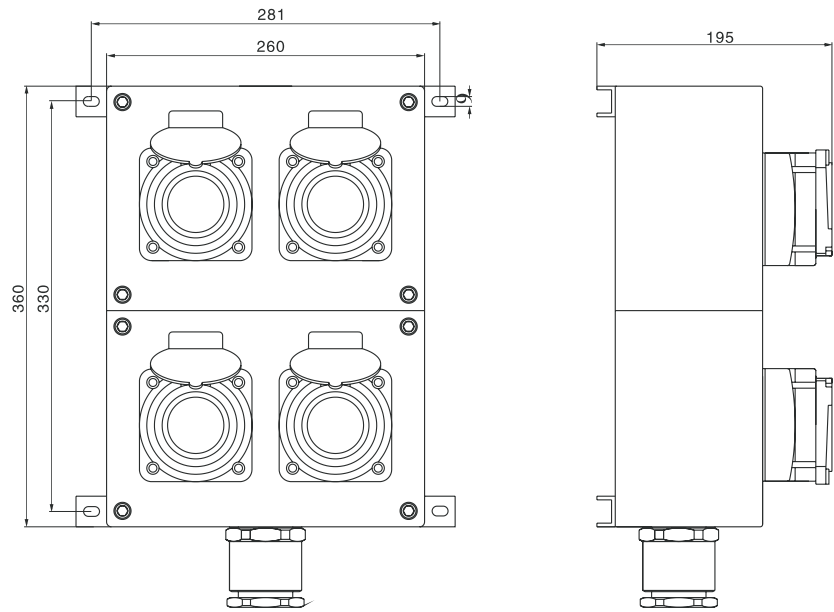
### 外形及安装举例 Outline and mounting example



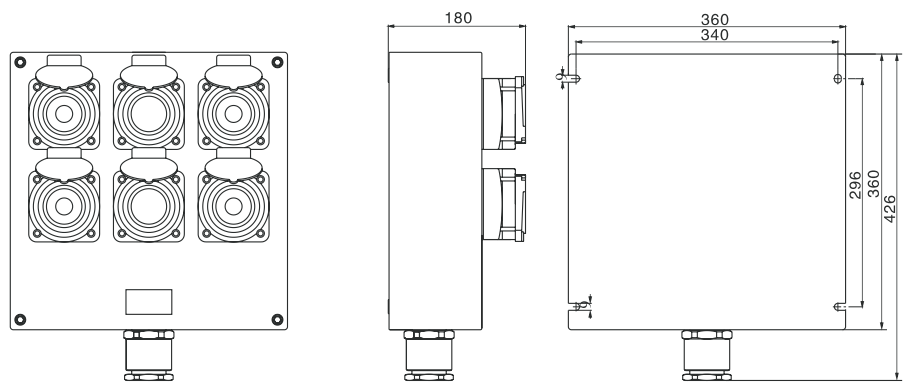
# PEOPLE ELECTRIC

## BXX8050

Type explosion-proof corrosion-proof socket box for power source (II C)



BXX8050-4



BXX8050-6